

Steering System Diagnosis and Repair

Name: _____ Date: _____

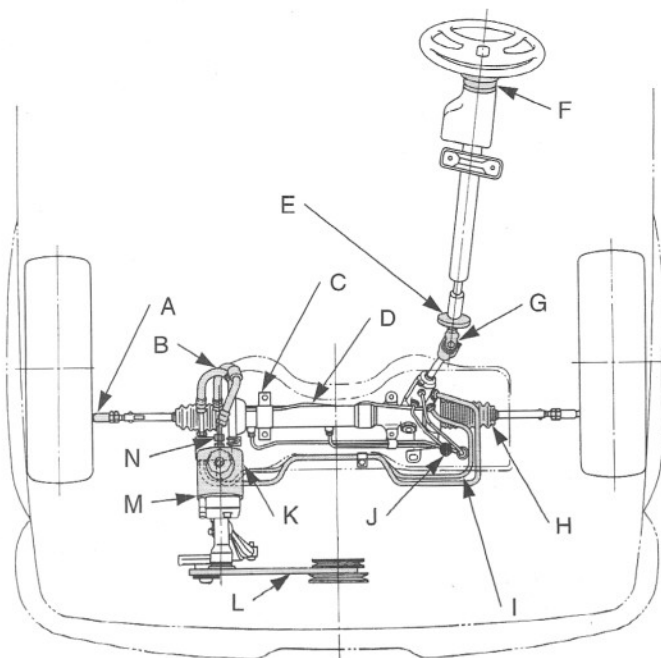
Instructor: _____ Score: _____ Textbook pages 1310–1330

Objective: After studying this chapter, you will be able to summarize how to diagnose and repair steering system troubles.

Steering System Service

1. After prolonged use, what parts of the steering system wear, and what are the results?

2. Label the problems that can occur in the steering system.



- (A) _____
- (B) _____
- (C) _____
- (D) _____
- (E) _____
- (F) _____
- (G) _____
- (H) _____
- (I) _____
- (J) _____
- (K) _____
- (L) _____
- (M) _____
- (N) _____

3. Explain two methods of checking the causes of steering wheel play. _____

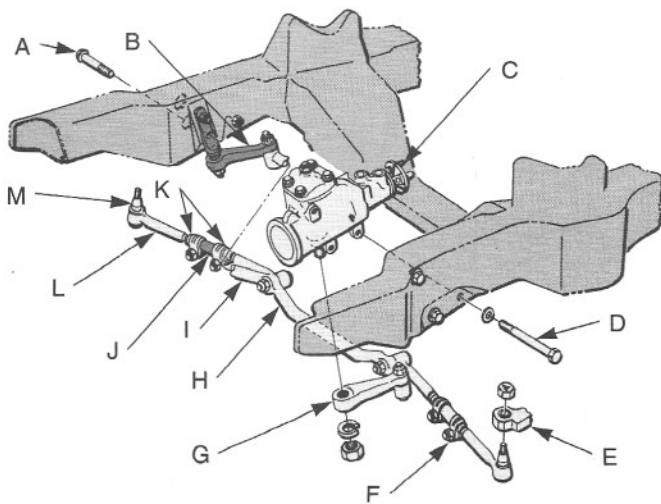
4. How do you remove a steering wheel? _____

5. How do you service an inner tie-rod end on a rack-and-pinion assembly? _____

6. How do you remove a rack-and-pinion assembly from a vehicle? _____

7. True or False? An idler arm is a very common wear point on linkage type steering. 7. _____

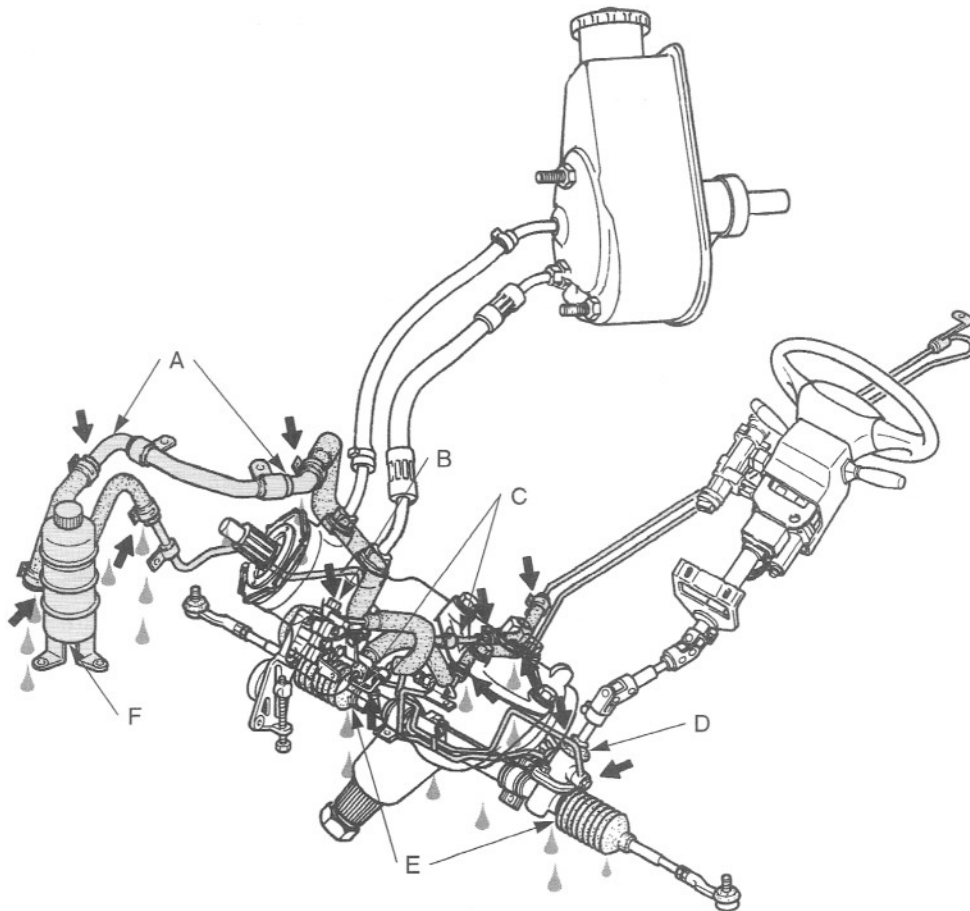
8. Label the possible problems in the linkage system.



- (A) _____
- (B) _____
- (C) _____
- (D) _____
- (E) _____
- (F) _____
- (G) _____
- (H) _____
- (I) _____
- (J) _____
- (K) _____
- (L) _____
- (M) _____

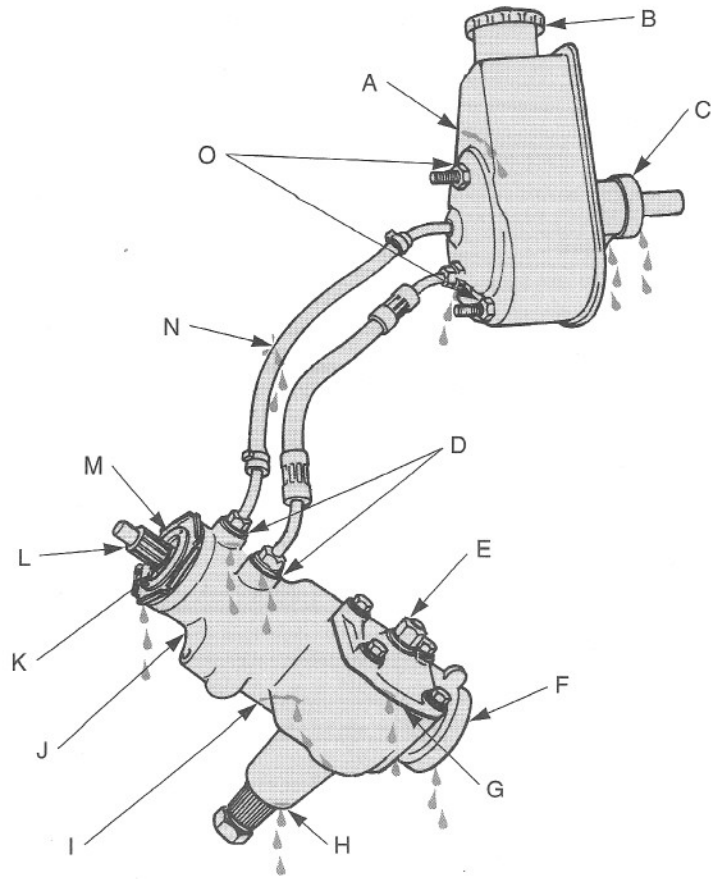
Name _____

9. A power steering pressure test checks the operation of the _____. 9. _____
 (A) power steering pump
 (B) pressure relief valve
 (C) control valve
 (D) All of the above.
10. True or False? Most automotive technicians rebuild a power steering pump in-shop. 10. _____
11. With electronic assist, a scan tool might show codes for _____. 11. _____
 (A) power steering pump pressure
 (B) lateral acceleration sensor
 (C) fluid pressure control solenoid
 (D) All of the above.
12. Label the parts that can cause power steering system leakage in a rack-and-pinion system.



- (A) _____ (D) _____
 (B) _____ (E) _____
 (C) _____ (F) _____

13. Label the parts that can cause power steering system leakage in a linkage system.



- (A) _____
- (B) _____
- (C) _____
- (D) _____
- (E) _____
- (F) _____
- (G) _____
- (H) _____

- (I) _____
- (J) _____
- (K) _____
- (L) _____
- (M) _____
- (N) _____
- (O) _____